



Vertical Shaft Impact Crusher

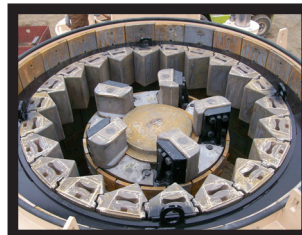
Model 750, 750XC & 850



PRODUCER BENEFITS

- Cubical particle shape
- Gradation control
- Simple maintenance
- High product yield
- Non-plugging crushing chamber
- High fracture percentage
- Variable reduction ratios
- Heavy duty design

PARAMETERS	MODEL 750	
Maximum Feed Size	750	6"
Longest Dimensions	750XC	8"
Depends on RPM	850	8"
Maximum Input Capacity T.P.H. Depending on Feed Size	750	750
	750XC	750
	850	850
Maximum Impeller R.P.M. Depending on Feed Size and Internal Configuration	750	1050
	750XC	1050
	850	850
Table Diameter	750	48"
	750XC	48"
	850	56"
Feed Tube Diameter	750	18" I.D.
	750XC	24" I.D.
	850	24" I.D.



Steel on steel
configuration for
max production

Autogenous rock
box for lower ton-
nage in high abra-
sion materials

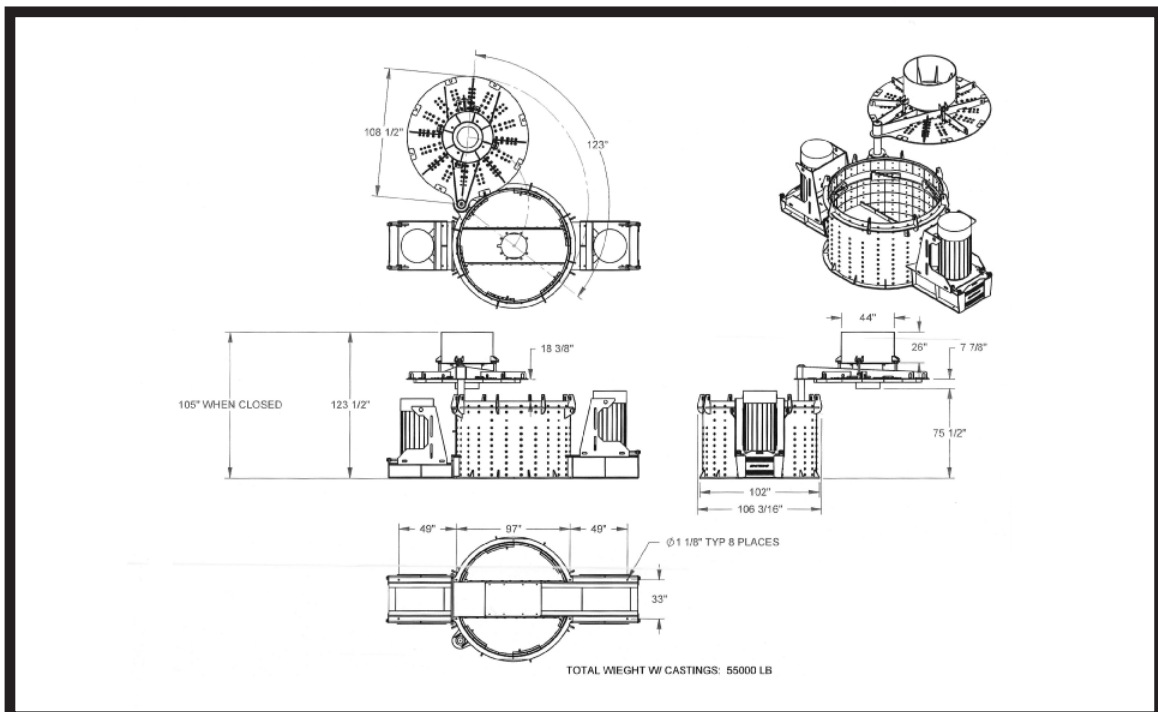




STANDARD FEATURES

- Hydraulic lid lifter
- Modular oil lube system
- Externally adjustable feed tube system
- Unitized construction
- Cast lid and tunnel liners
- One piece tub and shroud liners
- Motor mount and adjustable take-ups
- V-belt drive
- Heavy duty pedestal drive with double self-aligning spherical roller bearings
- 3, 4, 5 and 6-Shoe tables
- One year manufacturers warranty
- Options include dust control systems, jib crane (parts hoist), portable or stationary, electric or diesel drives.

ALL SPECIFICATIONS ARE SUBJECT TO CHANGE WITHOUT NOTICE



ACTECH INC.

10517 NE 50th Ave • Vancouver, Wa 98686
 Phone: (360)571-7703 • Fax: (360)571-7704
 Email: sales@actechmfg.com • Web: www.actechmfg.com