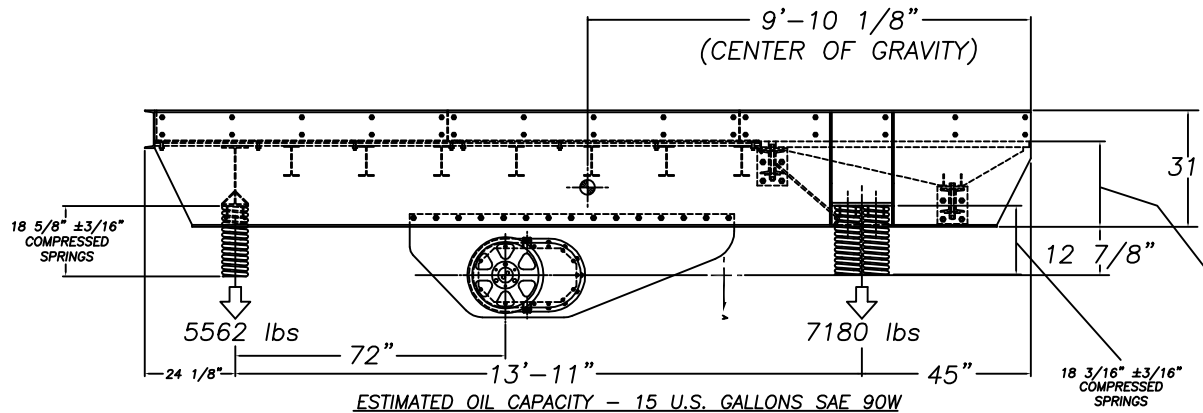
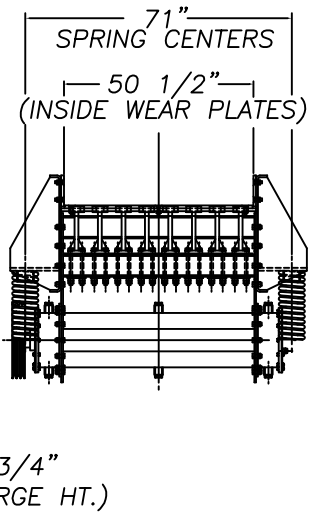


OUTER SPRING CENTERS



ESTIMATED OIL CAPACITY - 15 U.S. GALLONS SAE 90W



WEIGHTS

- ESTIMATED FEEDER ASSEMBLY - 9692 lbs
- ESTIMATED DRIVE ASSEMBLY - 3050 lbs
- ESTIMATED SPRING GROUP - 508 lbs
- TOTAL ESTIMATED SHIPPING WT. - 13250 lbs

DRIVE DATA

- MOTOR - 40 H.P. 1800 RPM TEFC ELECTRIC
- MAXIMUM RPM - 810 MINIMUM RPM - 405
- MAXIMUM STROKE @ 810 RPM - 1/2"
- MAXIMUM STROKE @ 405 RPM - 1"

NOTE:
WEIGHTS AND DIMENSIONS ARE APPROX.
AND MAY CHANGE WITHOUT NOTICE.

ACTECH
ADVANCED CRUSHER TECHNOLOGIES, INC.
1615 SCHURMAN WAY WOODLAND,
WA 98674 - (360) 571-7703

THIS DRAWING AND ITS CONTENTS IS THE
PROPERTY OF "ADVANCED CRUSHER TECHNOLOGIES".
ISSUED IN STRICT CONFIDENCE AND SHALL
NOT, WITHOUT PRIOR WRITTEN PERMISSION OF
ABOVE STATED COMPANY, BE REPRODUCED
COPIED, OR USED FOR ANY PURPOSE
WHATSOEVER EXCEPT THE MANUFACTURE
OF ARTICLES FOR "ADVANCED CRUSHER
TECHNOLOGIES". IT IS LOANED SUBJECT
TO "RETURN UPON DEMAND".

Drawing Title
GENERAL ARRANGEMENT
52 X 20 VIBRATING GRIZZLY FEEDER
W/ 2) PRODUCTS and NO VARI-DRIVE

File No.:
DA7002-0
Date: 6-23-2021
Scale: NONE
Drawn By: C.BEDELL
App'd By: C.BEDELL