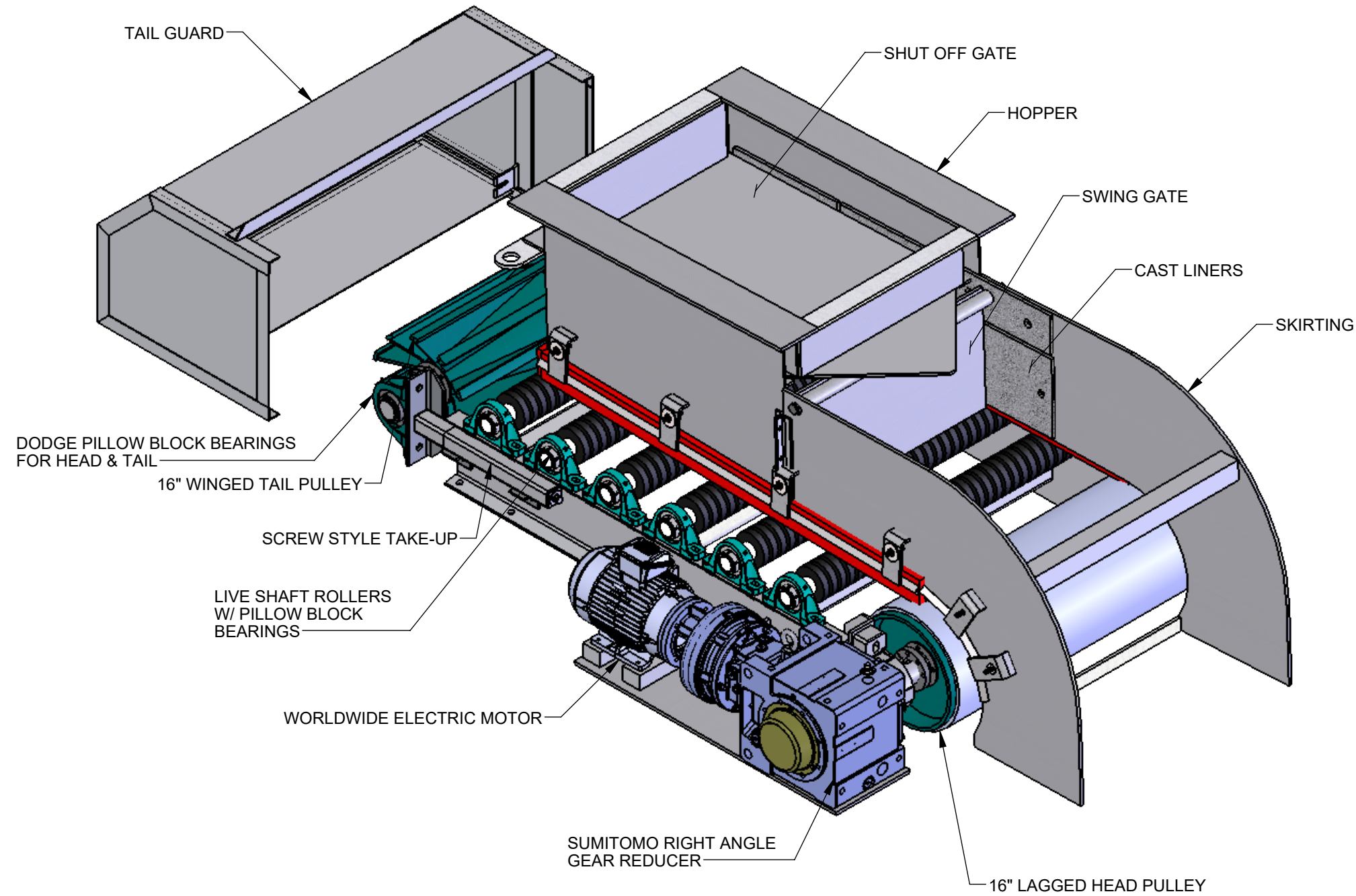


This document/data is the property of Actech, Inc. you may not possess, use, copy, or disclose this document/data or any information contained therein, for any purpose, including without limitation to design, manufacture, or repair parts, or obtain any approval to do so, without Actech, Inc. express written permission. Neither receipt nor possession of this document/data alone, from any source, constitutes such permission. Possession, use, copying, or disclosing by anyone without Actech, Inc. express written permission is not authorized and may result in criminal and/or civil liability. This document/data remains the property of Actech, Inc. this document is not releasable under the Freedom of Information Act. ©Copyright Actech, Inc.

REVISIONS						
ECN	REV.	DESCRIPTION	DATE	DRAWN	CHECKED	APPROVED



APPROX TTL WT 4246 Lb

**ACTECH**  
1615 SCHURMAN WAY, WOODLAND, WA 98674 USA

**ACTECH  
 42" X 6' SUPER DUTY FEEDER  
 ASSEMBLY**

APPROVED BY:	DATE:	
DRAWN BY: <b>TAT</b>	CHECKED BY:	ENGINEER
DATE: <b>03/05/2020</b>	SCALE: <b>1:16</b>	REVISION: <b>0</b>
DRAWING NUMBER: <b>1625-FDR-GA</b>		SHT: <b>1 OF 1</b>