
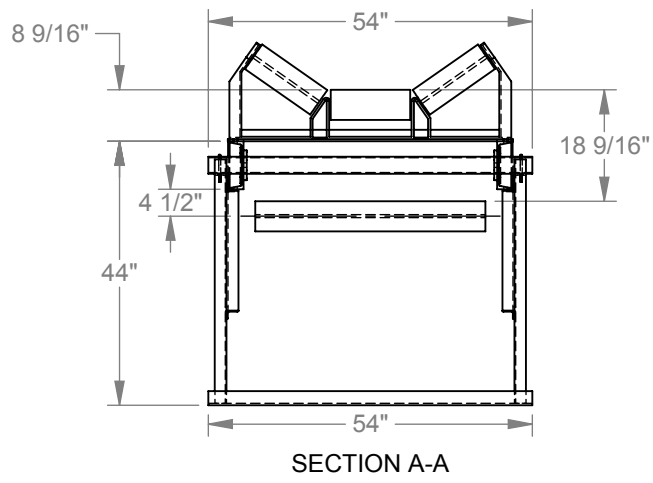
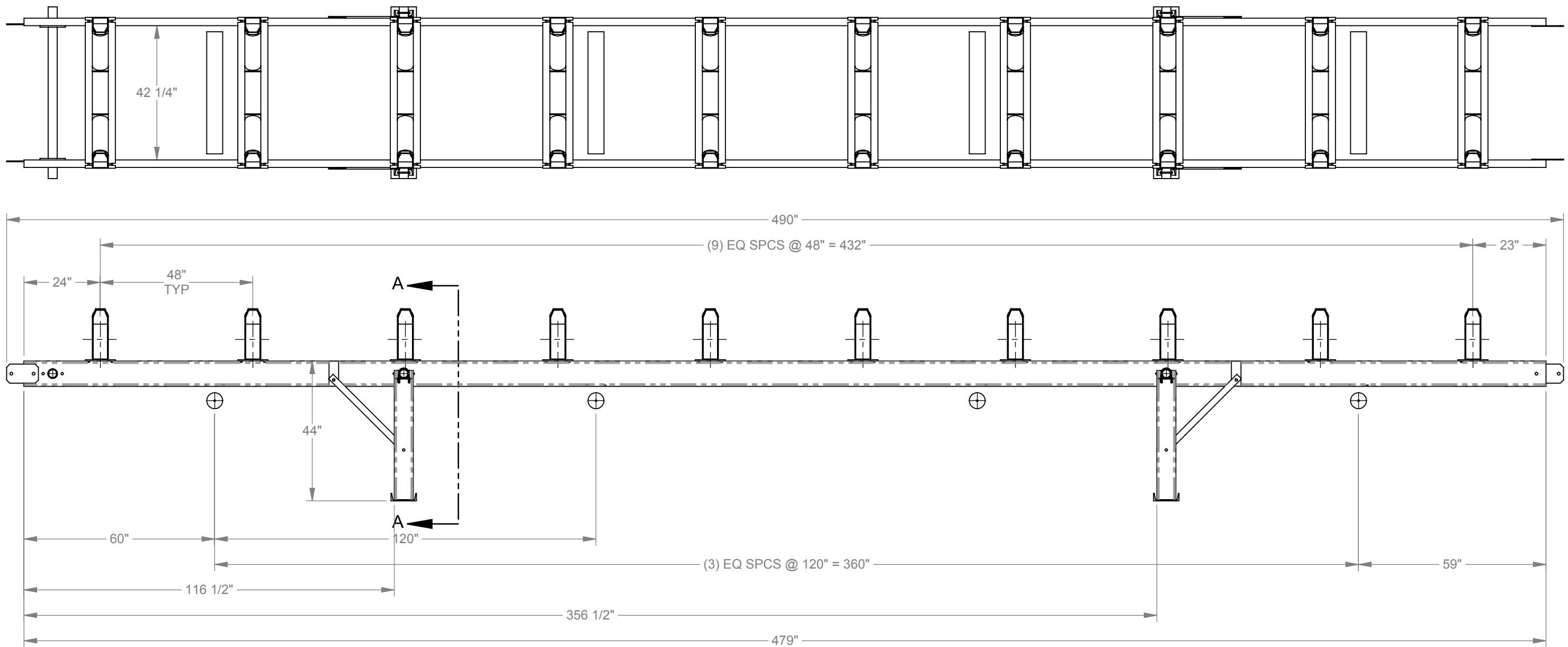


ITEM NO.	PART NUMBER	DESCRIPTION	QTY.
1	16028-1	CONVEYOR RAIL ASSY -- RIGHT HAND	1
2	16028-1-1-MIR	CONVEYOR RAIL ASSY -- LEFT HAND	1
3	16028-2	CROSS MEMBER ASSY	3
4	C5-35TE-36	35 DEG TROUGHING IDLER CEMA C 5" DIA X 36" BELT	10
5	CR-36-5-IDLR	CEMA "C" 5" DIA X 36" BELT	4
6	16028-3	LEG ASSY	2
7	16028-4-4	L2x2x1/4"	2
8	16028-4-4-MIR	L2x2x1/4"	2

APPROX TTL WT 2026 Lb

 ADVANCED CRUSHER TECHNOLOGIES, INC 1615 SCHURMAN WAY WOODLAND, WASHINGTON 98674 USA			
CEMEX -- CANBY 36" X 40' OVERLAND SECTION ASSEMBLY			
DATE	05-13-2016	SCALE	1:32
REVISION	0		
DRAWING NUMBER	16028	SHT	1 OF 2

16028



ACTECH
 ADVANCED CRUSHER TECHNOLOGIES, INC
 1615 SCHURMAN WAY
 WOODLAND, WASHINGTON 98674 USA

CEMEX -- CANBY
 36" X 40' OVERLAND SECTION
 ASSEMBLY

DATE	05-13-2016	SCALE	1:32	REVISION	0
DRAWING NUMBER	16028			SHT	2 OF 2